



**COASTAL
AMUSEMENTS INC.**

"...manufacturers & distributors of coin-op redemption games..."

CHUCK E. CHEESE'S CHATTY CHUCKIE MANUAL



CHUCK E. CHEESE'S VIDEO CHATTY CHUCKEä

OPERATING MANUAL

(version: 100201)

COASTAL AMUSEMENTS, INC. 601 PROSPECT ST. LAKEWOOD, NJ 08701

TEL: (732) 905-6662 Fax: (732) 905-6815

e-mail: sales@coastalamusements.com

web site: <http://www.coastalamusements.com>

TABLE OF CONTENTS

Introduction..... pg. 3

Game Play..... pg. 3

Setting Game Parameters..... pg. 3

Fiberglass Phone Installation Instructions pg. 4

Parts List pg. 6 – 7

Parts Diagrams pg. 8 - 10

CHUCK E. CHEESE'S VIDEO CHATTY CHUCKE

Introduction

The *Chuck E. Cheese's Chatty ChuckE* is a program, which runs under the DOS operating system on a PC (clone) platform. All necessary software is stored on a hard disk within the system cabinet. When powered on, the operating system will automatically "boot" from the hard disk and immediately start the game without operator intervention.

During the boot process, the operating system displays a number of messages indicating progress. Many of these messages are a result of "autoprobing" for attached hardware, which may or may not be present, e.g. a pointing device ("Mouse"). These messages may be ignored. However, should the boot process halt, the last message displayed should be recorded and reported to *Coastal* technical service.

Game Play

After the insertion of a coin (or coins), the game will exit the attract mode and show a phone on the screen and the lights on console panel phone pad will all light. The player can then choose a phone number by hitting the buttons on the console. If a number is not entered after a number of seconds the game will automatically choose 911 as the phone number. After the phone number is entered an animated video will play. After the animation is complete, the game will reset to the attract mode.

Setting Game Parameters

The game uses a number of parameters for operation, which are retained on the hard disk. These parameters are subject to change using an "operator's menu". This menu can be activated, *when the game is in attract mode only*, by pressing the setup button inside the machine cabinet. This switch is located on the switch panel behind the coin door.

Options Menu

1. COINS PER GAME: 1, 2, 3, 4
2. SOUND VOLUME: 0, 1, 2, 3, 4, 5, 6, 7, 8, 9, 10

FIBERGLASS PHONE

INSTALLATION INSTRUCTIONS

The Chuck E. Cheese Chatty ChuckE is shipped with the fiberglass phone packed separately to prevent damage to phone in shipping.

NOTE: Please read the installation directions to be sure that you understand how the phone attaches to the game body as the fiberglass phone may crack if not installed properly. The phone must be slid on from the front of the game, not lowered down on to the game.

Note: A zip lock bag containing wing bolts, washers & nuts is shipped with the game for mounting the phone

Step 1: Remove the fiberglass phone from the carton and place in on a secure work surface.

Step 2: Removal of the masking tape that is securing the monitor plexi for shipping is not necessary

Step 3: Remove the rear access door on the fiberglass phone by removing the four (4) 1024 x 3/4" screws. Place the access door to the side for re-installation later.

Step 4: Place the fiberglass phone on top of the game cabinet but do not slide the phone down onto the cabinet, just rest it on top of the cabinet.

Step 5: Take the speaker extension wires and pass them thru the 1" hole in the bottom of the fiberglass phone. Then connect the speaker extension wires to the connectors lying inside the fiberglass phone. You can get access to the connectors via the access panel hole in the fiberglass phone.

Step 6: Pick up the fiberglass phone and hold it in front of the cabinet, align the notches in the phone with the edges of the monitor cabinet. Now carefully slide the fiberglass phone back towards the rear of the cabinet. At the same time you must draw the speaker wire in to the phone. Once the phone is slid back, press down slightly to seat the phone on the top of the cabinet

Step 7: Using the supplied wing bolts with washers and nuts, secure the phone with the wing bolts through the holes in the phone and cabinet top. Tighten the nuts being careful to not over tighten and crack the fiberglass phone.

Step 8: Re-install the rear access panel in the back of the fiberglass phone.

Coastal Amusements Inc.

PARTS DIAGRAMS

COASTAL AMUSEMENTS

CEC CHATTY CHUCKE PARTS LIST

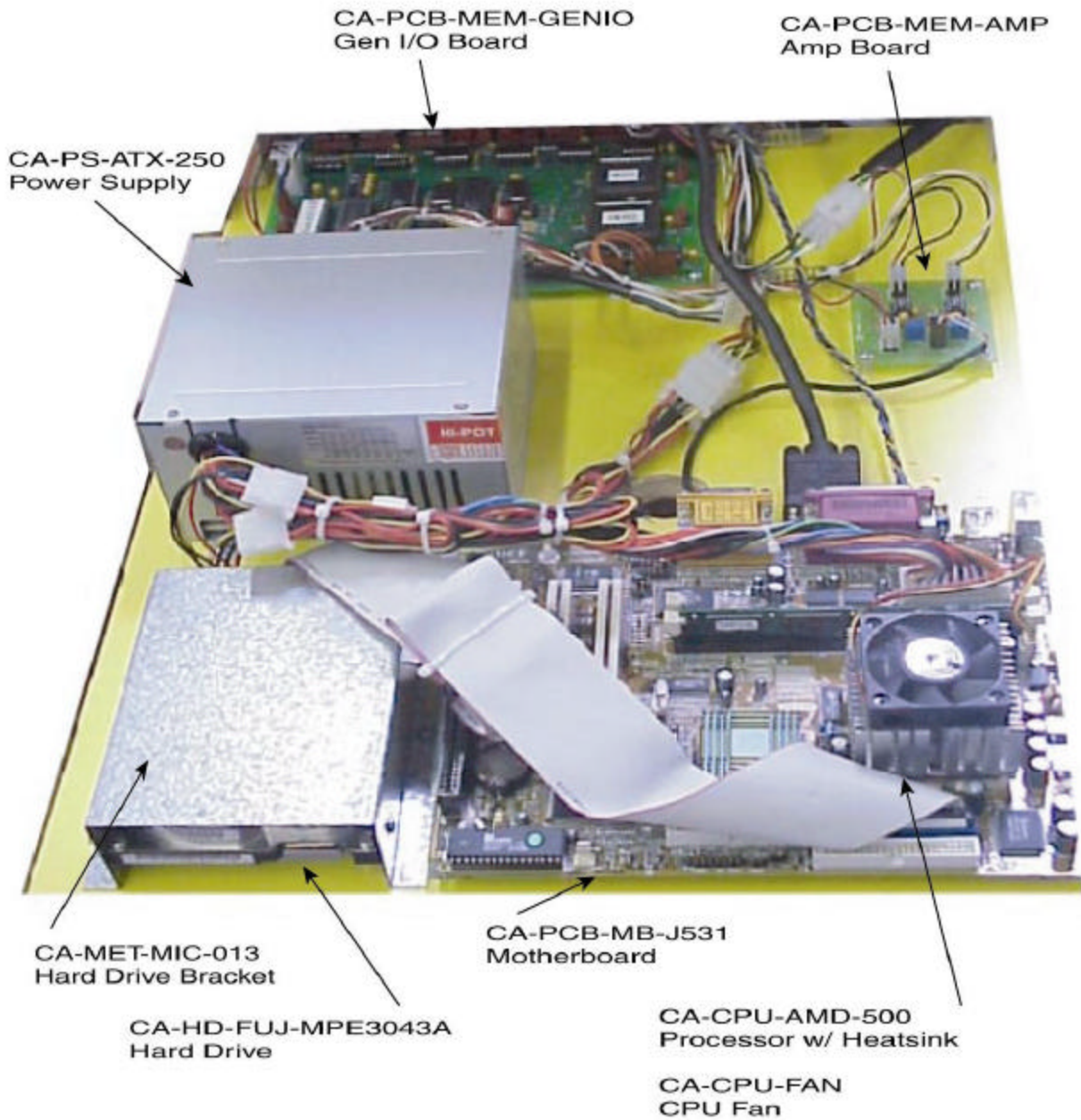
<u>Item</u>	<u>Part</u>	<u>Description</u>	<u>Quantity</u>
1	CACABCC	Chatty Chucke Cabinet	1
2	CACRACC QU645	Phone Cradle	1
3	CAPHOHS BK2001	Phone Handset w/ 32" cable	1
4	CACC FIBPHONE	Fiberglass Phone	1
5	CAG&GCC1	Chatty Chucke Monitor Plexi	1
6	CAG&GCC2	Chatty Chucke Control Panel Plexi	1
7	CAG&GCC3	Chatty Chucke Side Decal	2
8	CAG&GCC4	Chatty Chucke Front Decal	1
9	CAG&GCC5	Chatty Chucke Phone Decal	1
10	CAMETCCC016	Phone Cable Mounting Plate	1
11	CAMONWGT143IMIDM	14" Wells Gardner Monitor	1
12	CACM CM 61020082	Coin Door	1
13	CABUTMPB#CC	# Button	1
14	CABUTMPB*CC	* Button	1
15	CABUTMPB0CC	0 Button	1
16	CABUTMPB1CC	1 Button	1
17	CABUTMPB2CC	2 Button	1
18	CABUTMPB3CC	3 Button	1
19	CABUTMPB4CC	4 Button	1
20	CABUTMPB5CC	5 Button	1
21	CABUTMPB6CC	6 Button	1
22	CABUTMPB7CC	7 Button	1
23	CABUTMPB8CC	8 Button	1
24	CABUTMPB9CC	9 Button	1
25	CAPCBMEMGENIO	Gen I/O Board Complete	1
26	CAPCBMEMAMP	Amp Board Complete	1
27	CAPCBMB J531	J-531 Motherboard	1
28	CAMEM32MPC100	32MB Ram Stick	1
29	CACPUAMD500	AMD 500mhz processor	1
30	CAFANCPU	CPU Fan Socket 7	1
31	CAPS ATX250	ATX Power Supply	1
32	CASWIPB 8411K11	Momentary Switch	2

33	CASWITOG2047	Toggle Switch	1
34	CAMETDASDAS-624	Meter & Switch Bracket	1
35	CAMTRHS HS-005	12V Meter	1
36	CAMODRFI5EFM1S	ROI Power Entry Module	1
37	CAFUSSB 313002	2 Amp Slow Blow Fuse	1
38	CAMAS14 402	402 14" Monitor Mask	1
39	CAMETRB RB-7	Power Supply Bracket	1
40	'CASPE4" 8 OHM-5W'	4" Speaker	2
41	CAHD FUJMPE3043A	Hard Drive 4.3 gig	1
42	CAMETUNIG400LSB	4" Speaker Cover	2
43	CAMETMIC013	Hard Drive Bracket	1
44	CALOC118GU071	1 1/8" Showbiz Lock	2
45	CALOC7/8GU071	7/8" Showbiz Lock	2
46	CALOCKEYGU071	Key for Showbiz Lock	1
47	CAHARGTMICRO231	Right Angle Power Cable 10"	1
48	CAHARCCAC1	AC Power Extention Cord	1
49	CAHARCC1	Coin Mech Cable	1
50	CAHARCC2	Communication Cable	1
51	CAHARCC3	AC Power Y Cable	1
52	CAHARCC4	RFI Power Entry Module Cable	1
53	CAHARCC5	Speaker Harness	1
54	CAHARCC6	10" Speaker Harness Extention	2
55	CAHARCC7	Electronics Tray Harness	1
56	CAHARCC8	Button Panel Harness	1

CC-1



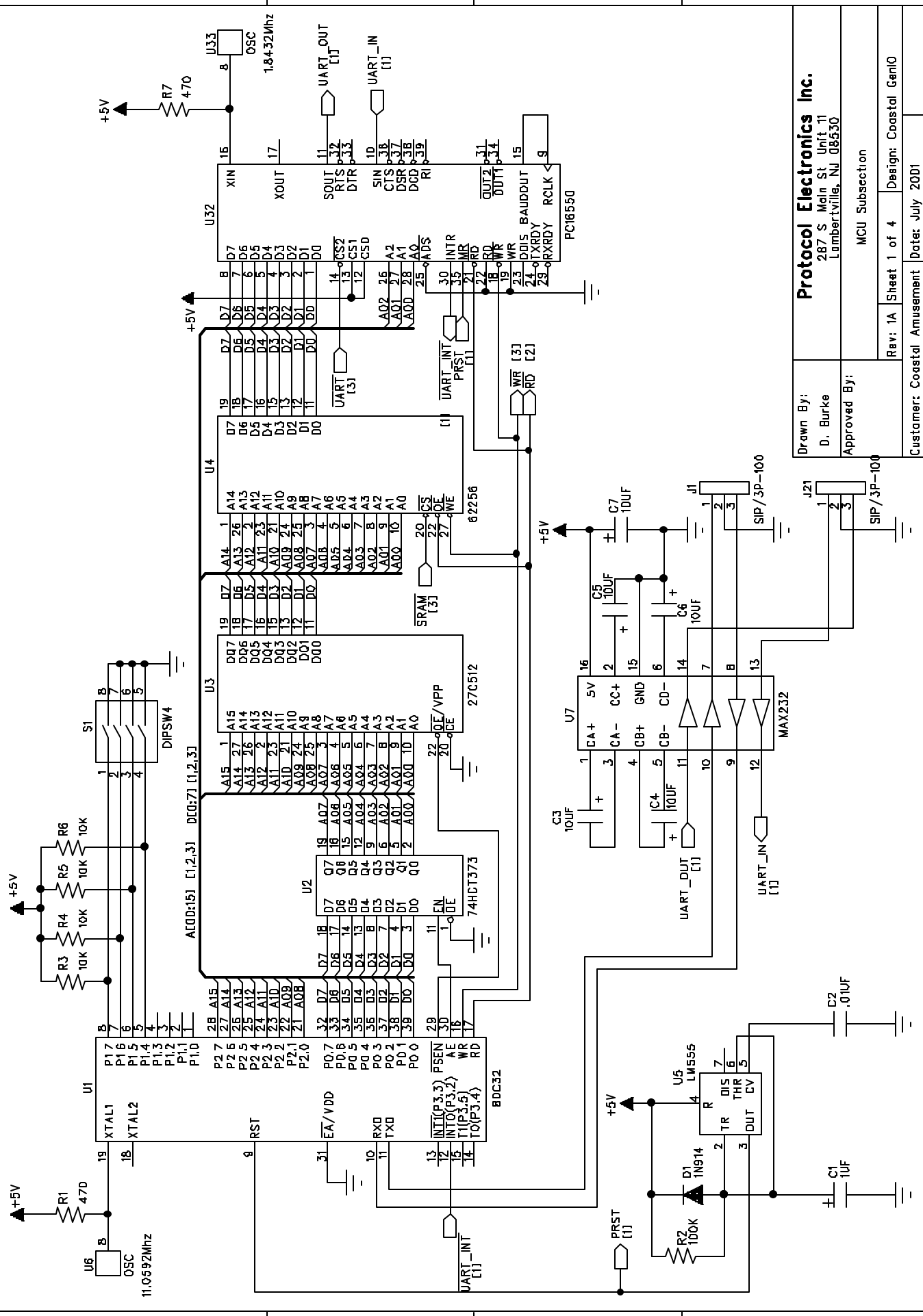
CC-2



CC-3

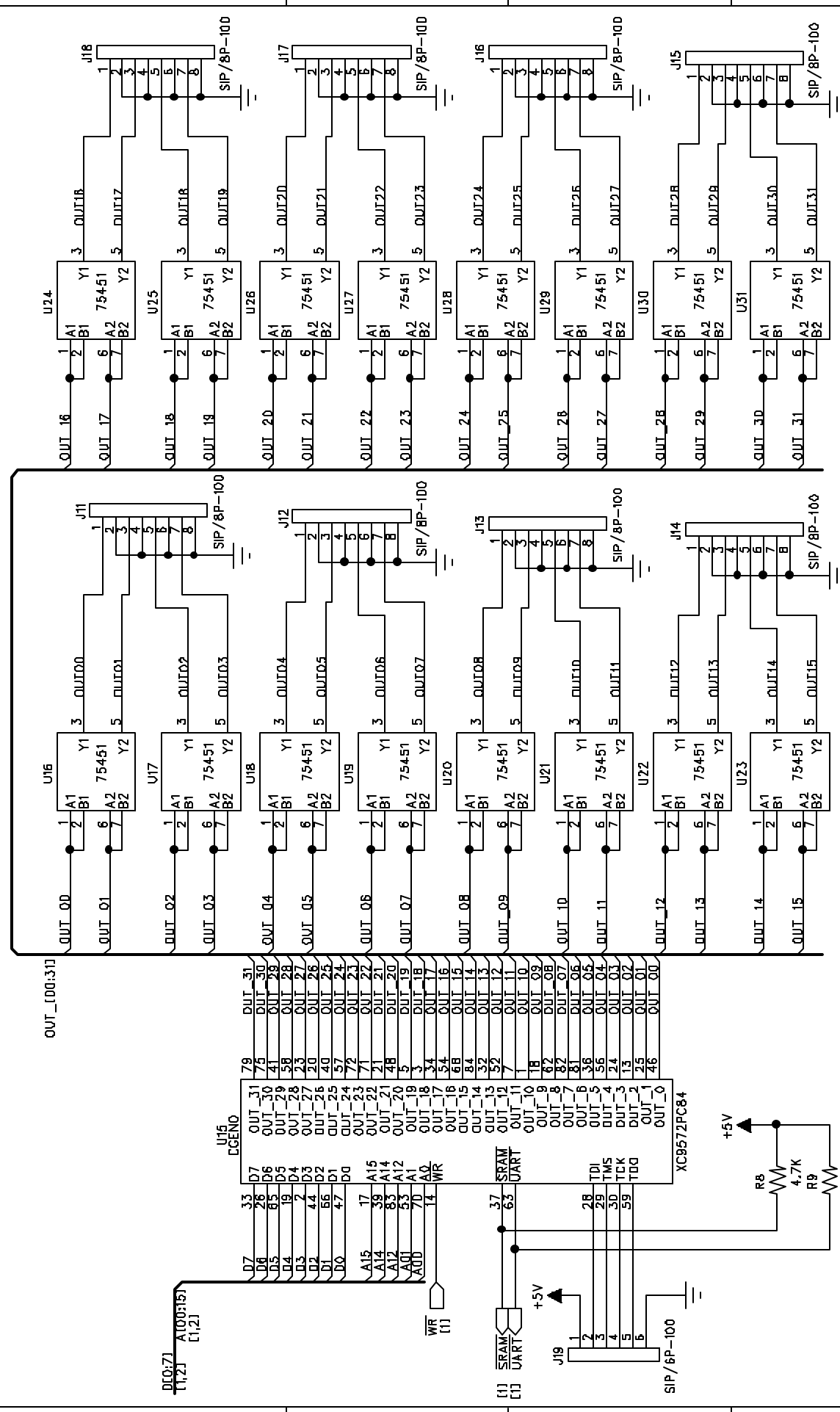


6 5 4 3 2 1



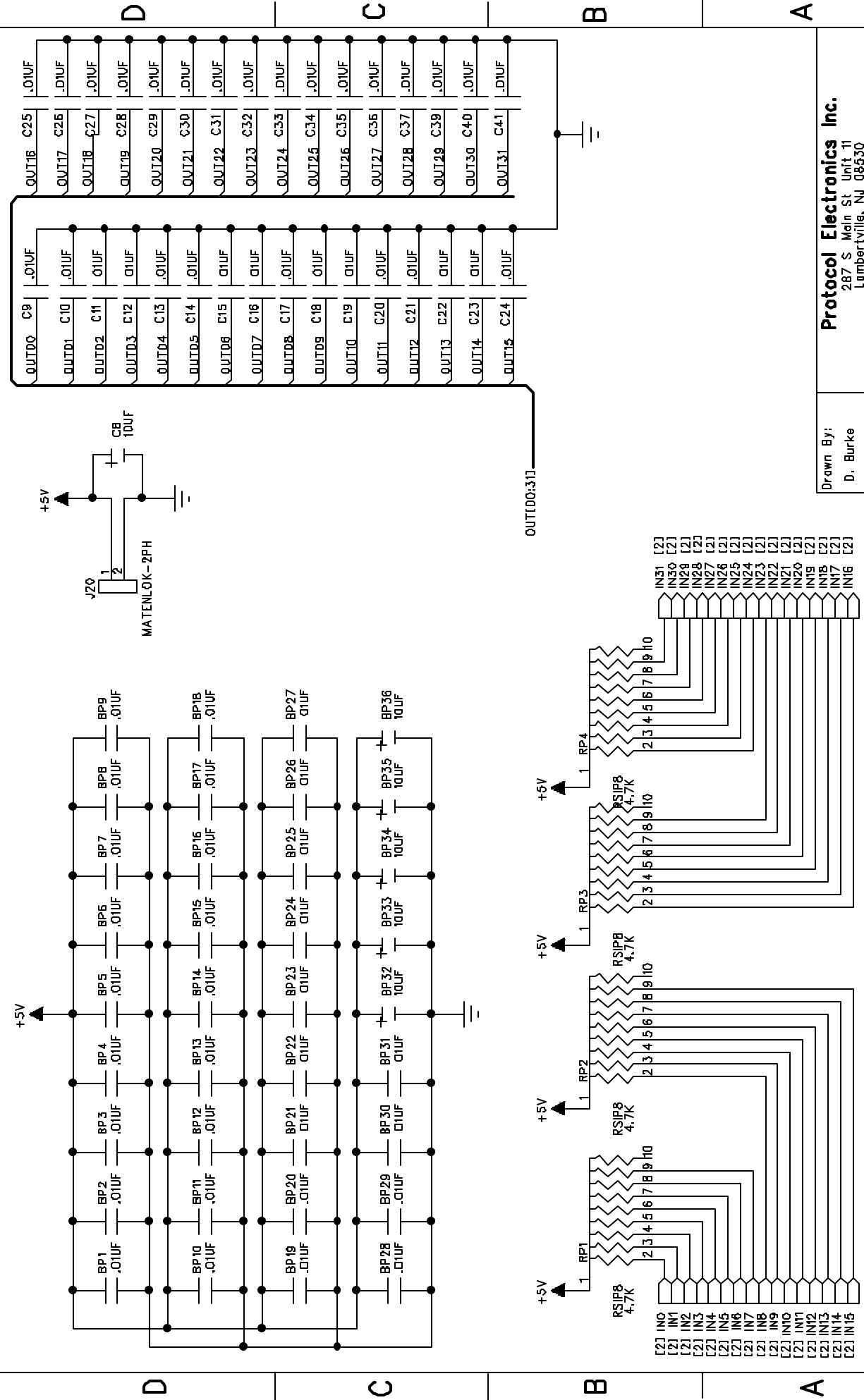
Protocol Electronics Inc.	
287 S Main St Unit 11 Lambertville, NJ 08530	
MCU Subsection	
Drawn By: D. Burke	Rev: 1A
Approved By:	Sheet 1 of 4
Customer: Coastal Amusement	Date: July 2001
Design: Coastal Ganio	

6 5 4 3 2 1



Drawn By: D. Burke	Protocol Electronics Inc. 287 S Main St Unit 11 Lambertville, NJ 08530	
Approved By:	Output Subsection	
Customer: Coastal Amusement	Rev: 1A	Sheet 3 of 4
	Design: Coastal Ganio	
	Date: July 2001	

1
2
3
4
5
6

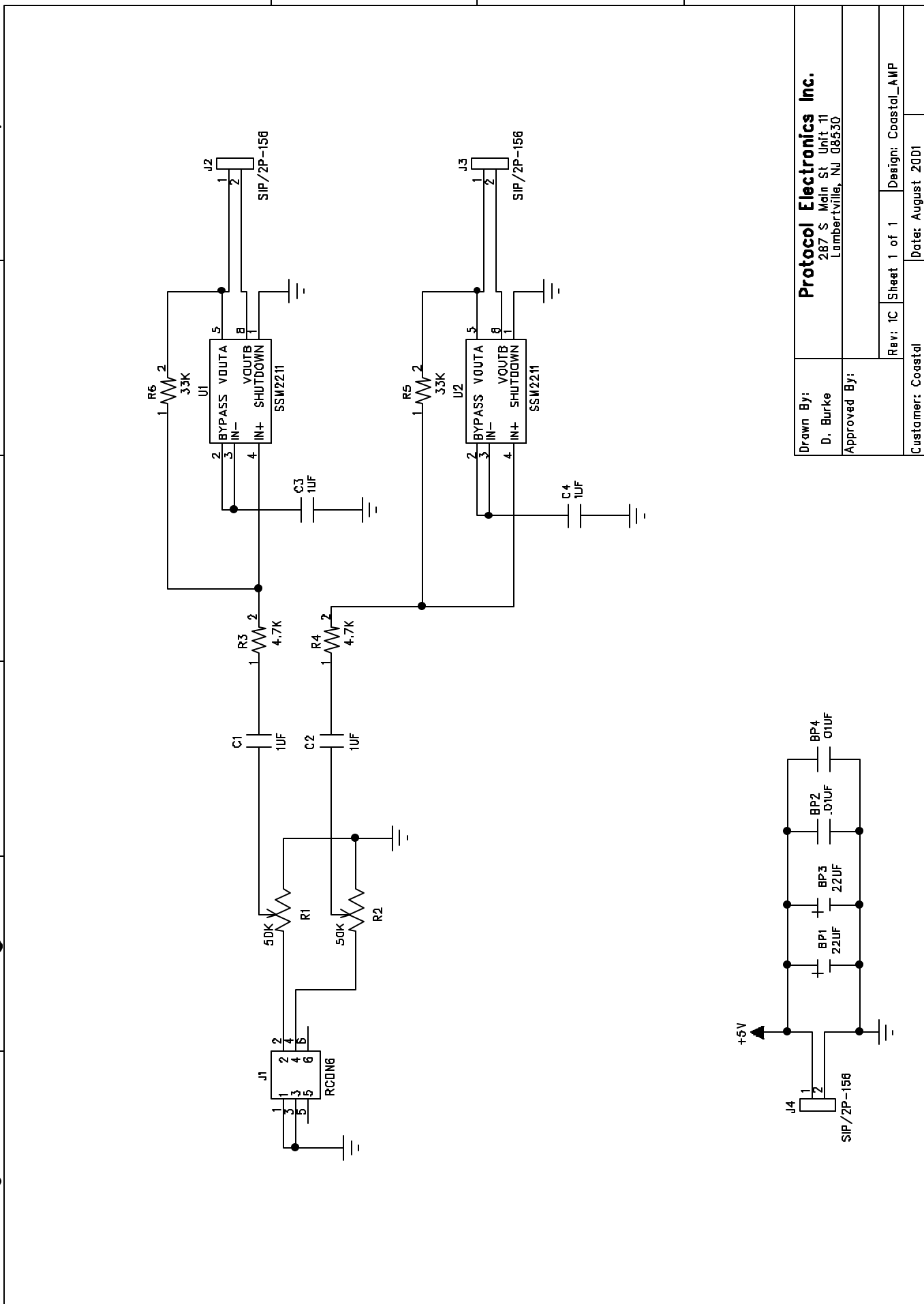


Protocol Electronics Inc.	
287 S Main St Unit 11 Lambertville, NJ 08530	
Drawn By: D. Burke	Approved By:
Rev: 1A	Sheet 4 of 4
Customer: Coastal Amusement	Date: July 2001
Design: Coastal Genio	

6 5 4 3 2 1

D C B A

D C B A



Protocol Electronics Inc. 287 S Main St Unit 11 Lambertville, NJ 08530	
Drawn By: D. Burke	Design: Coastal_AMP
Approved By:	Date: August 2001
Customer: Coastal	Rev: 1C Sheet 1 of 1